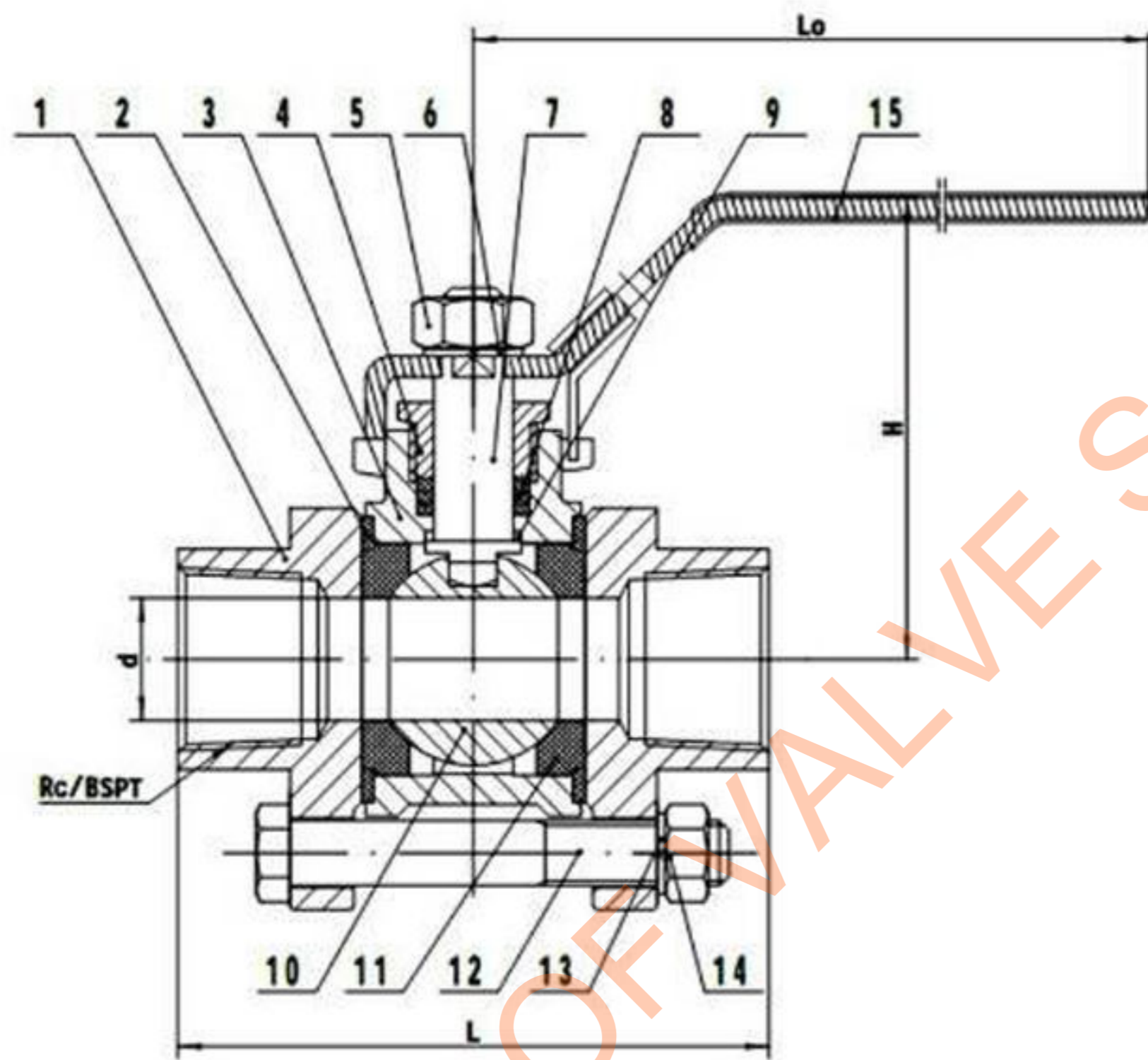


3-PC Ball Valve Stainless : 1000 WOG



No.	Partname	Material
1	BONNET	A351 CF8/CF8M
2	BONNET GASKET	PTFE(F4)
3	BODY	A351 CF8/CF8M
4	NUT	SS304
5	NUT	SS304
6	GASKET	17-7PH
7	STEM	A276 304/316
8	PACKING	PTFE(F4)
9	GASKET	PTFE(F4)
10	BALL	A351 CF8/CF8M
11	SEAL RING	PTFE(F4)
12	BOLT	SS304
13	GASKET	17-7PH
14	NUT	SS304
15	HANDLE	SS201+SLEEVE

Performance Specifications

Nominal Pressure	1000 PSI	
Shell Strength	10.4	Mpa
Sealing Test	7.6	
Sealing Test	7.6	
Air Seat Psig	0.6 ~ 0.8	
Suitable Temp	-29 ~ 130°C	
Media	Water, Oil, Gas, etc.	

Size		L	d	Rc/BSPT	Lo	H ≈	WT (kg) ≈
DN	in						
15	1/2"	70.5	15	1/2"	105	54	0.578
20	3/4"	74	20	3/4"	106	63	0.712
25	1"	85	25	1"	142	76	0.970
32	1-1/4"	99	32	1-1/4"	152	90	1.714
40	1-1/2"	110	38	1-1/2"	155	94	1.756
50	2"	139	50	2"	170	100	2.888
65	2-1/2"	169	65	2-1/2"	212	122	5.968
80	3"	197	80	3"	258	140	8.810
100	4"	268	100	4"	300	165	18.100

Technique request

1. Manufacturing and acceptance by GB/T12224-1989 requirements.
2. Other technical provisions required by the GB/T12237-1989.
3. Universal valve pressure test according to the requirements of GB/T13927-1992.
4. Valve inspection and test JB/T9092-1999 requirements.
5. Structure length dimensions according to GB/T12221-1989 requirements.