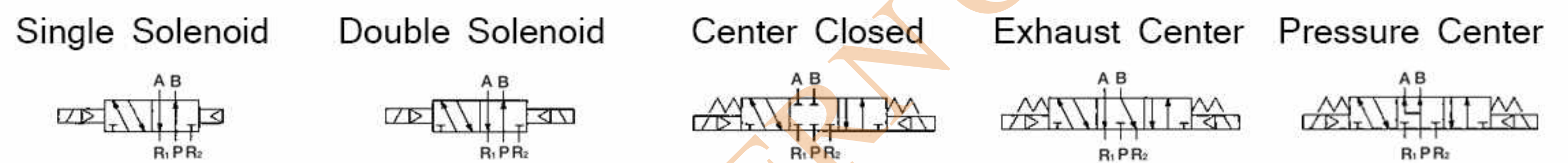


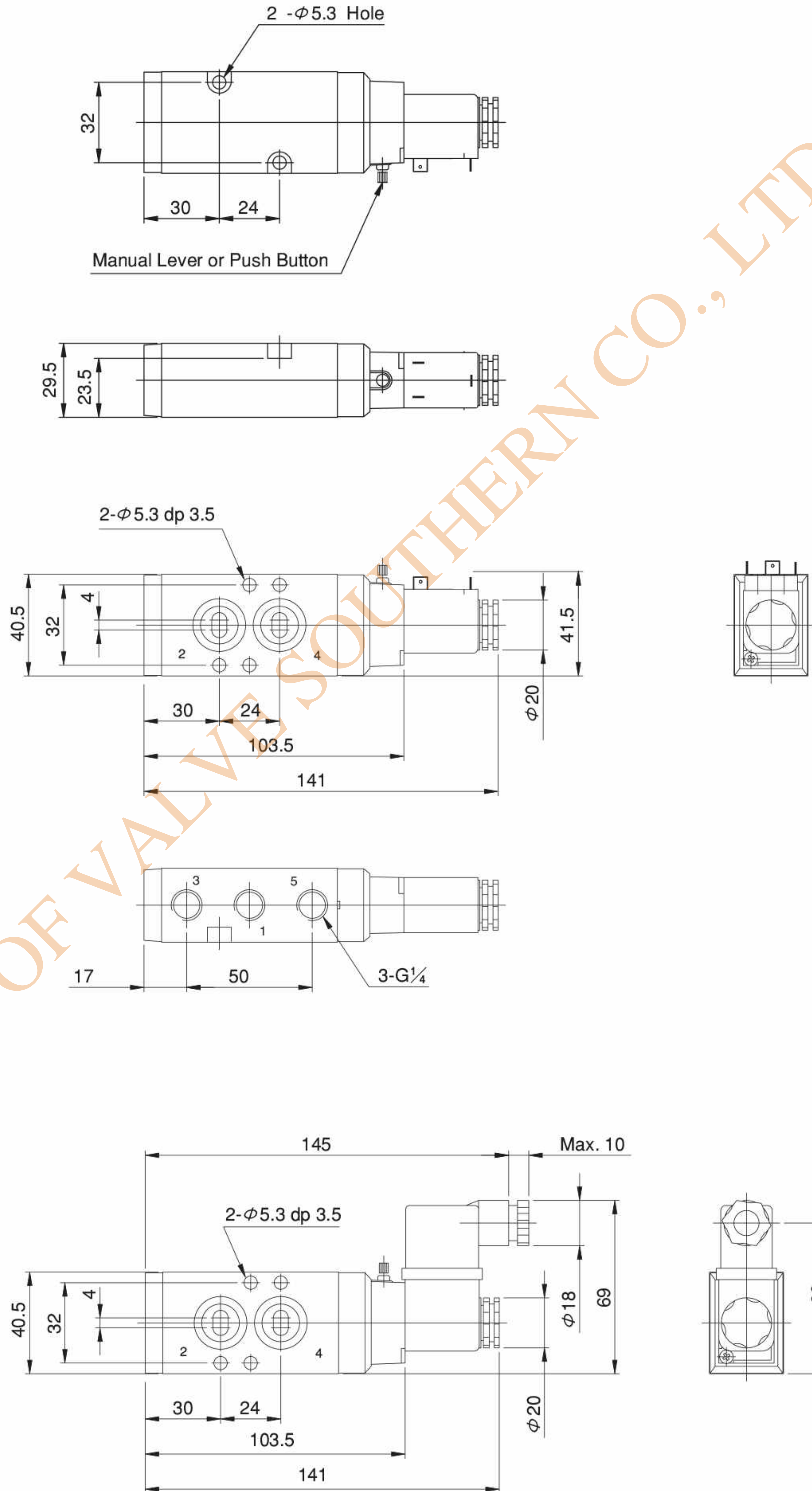
SOLENOID NAMUR VALVE

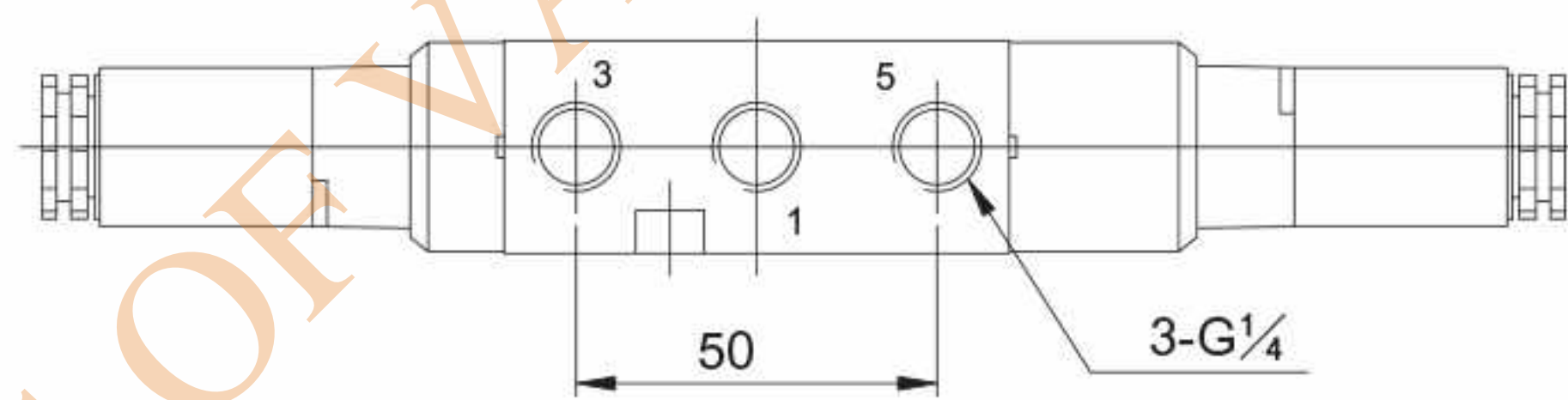
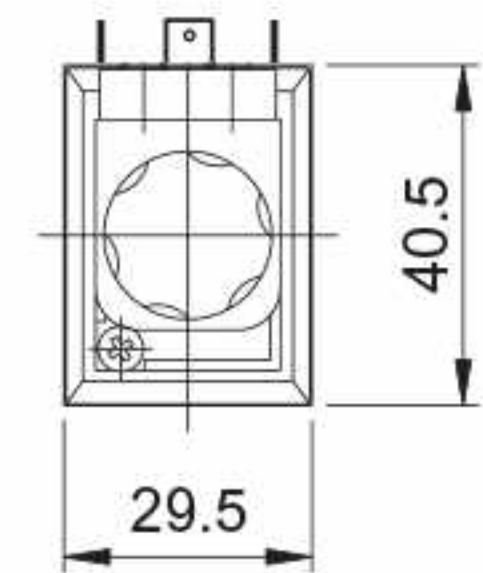
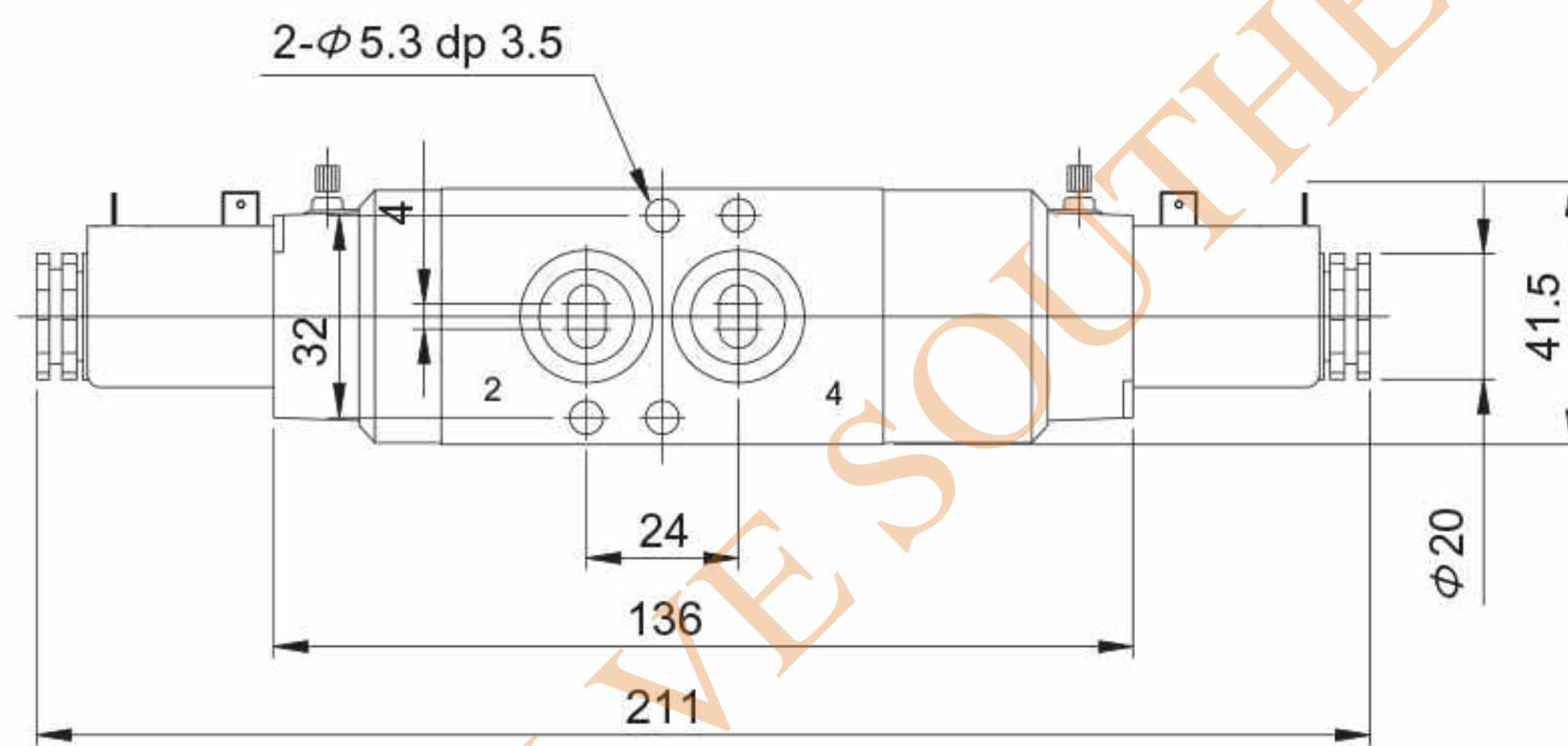
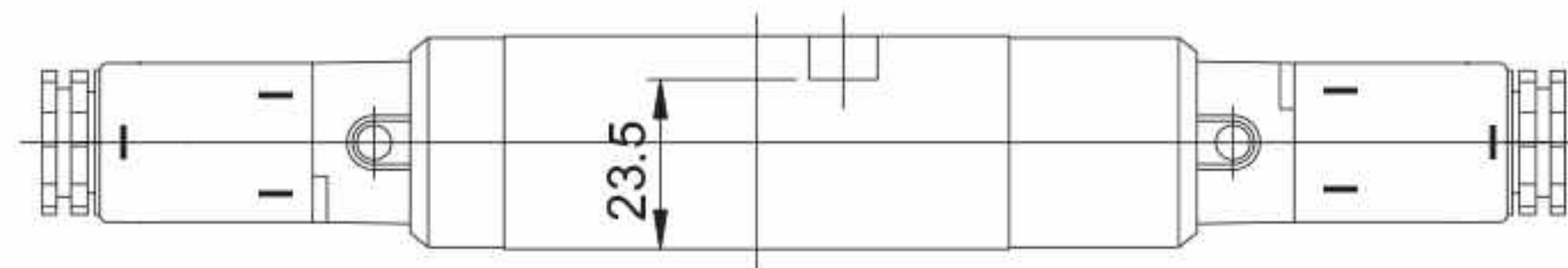
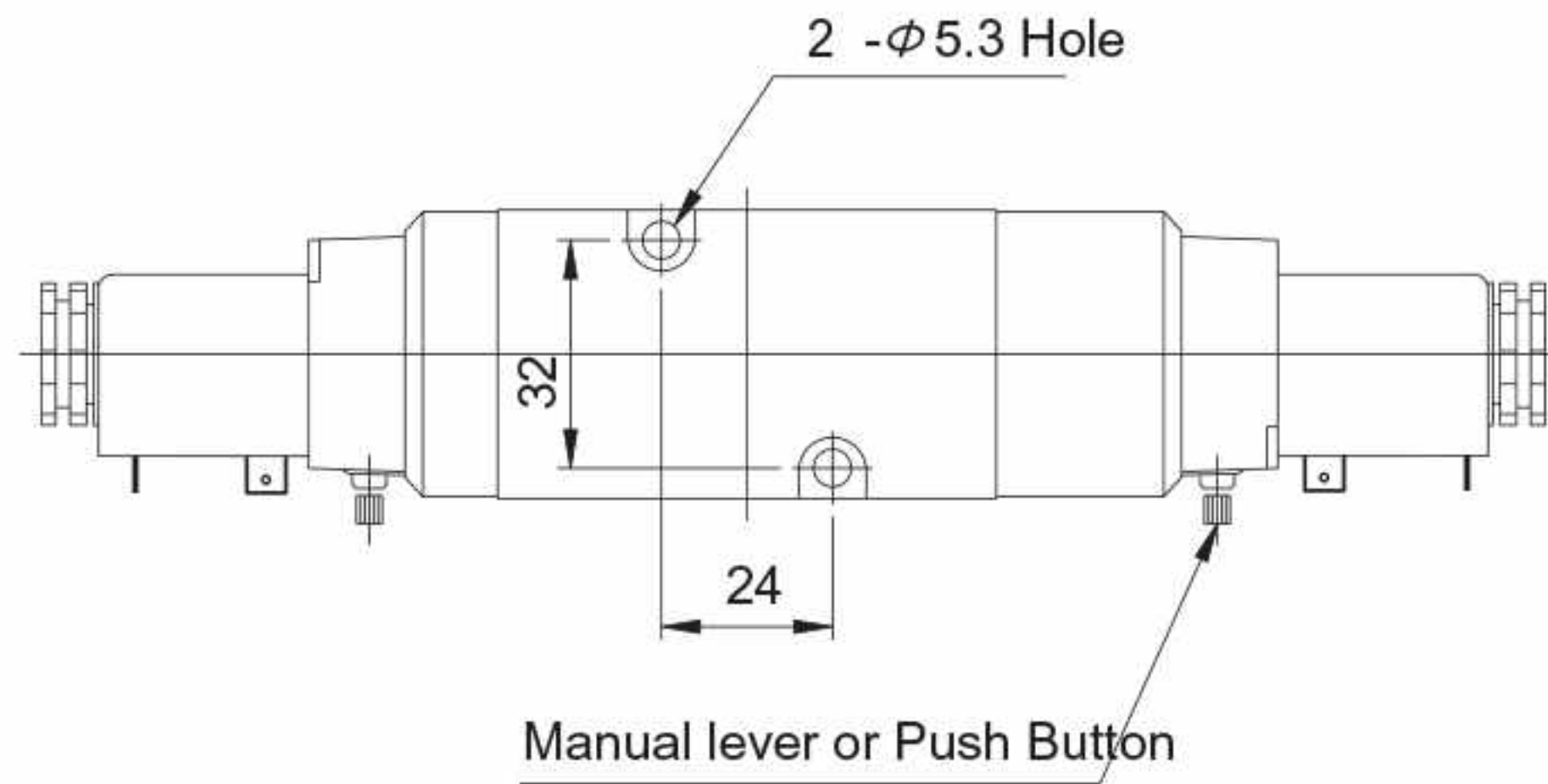
XN560S	5/2 Way Single Solenoid
XN560D	5/2 Way double Solenoid
XN560E	5/3 Way Center Closed
XN560C	5/3 Way Exhaust Center
XN560P	5/3 Way Pressure Center



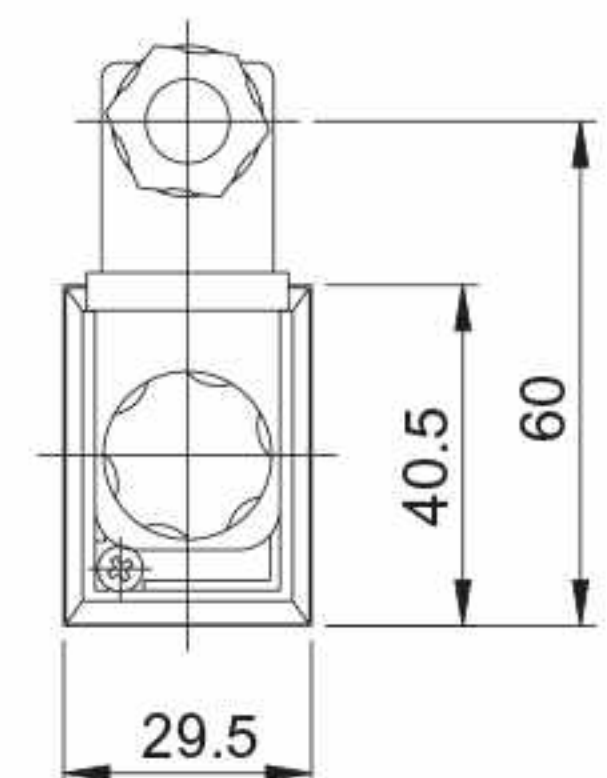
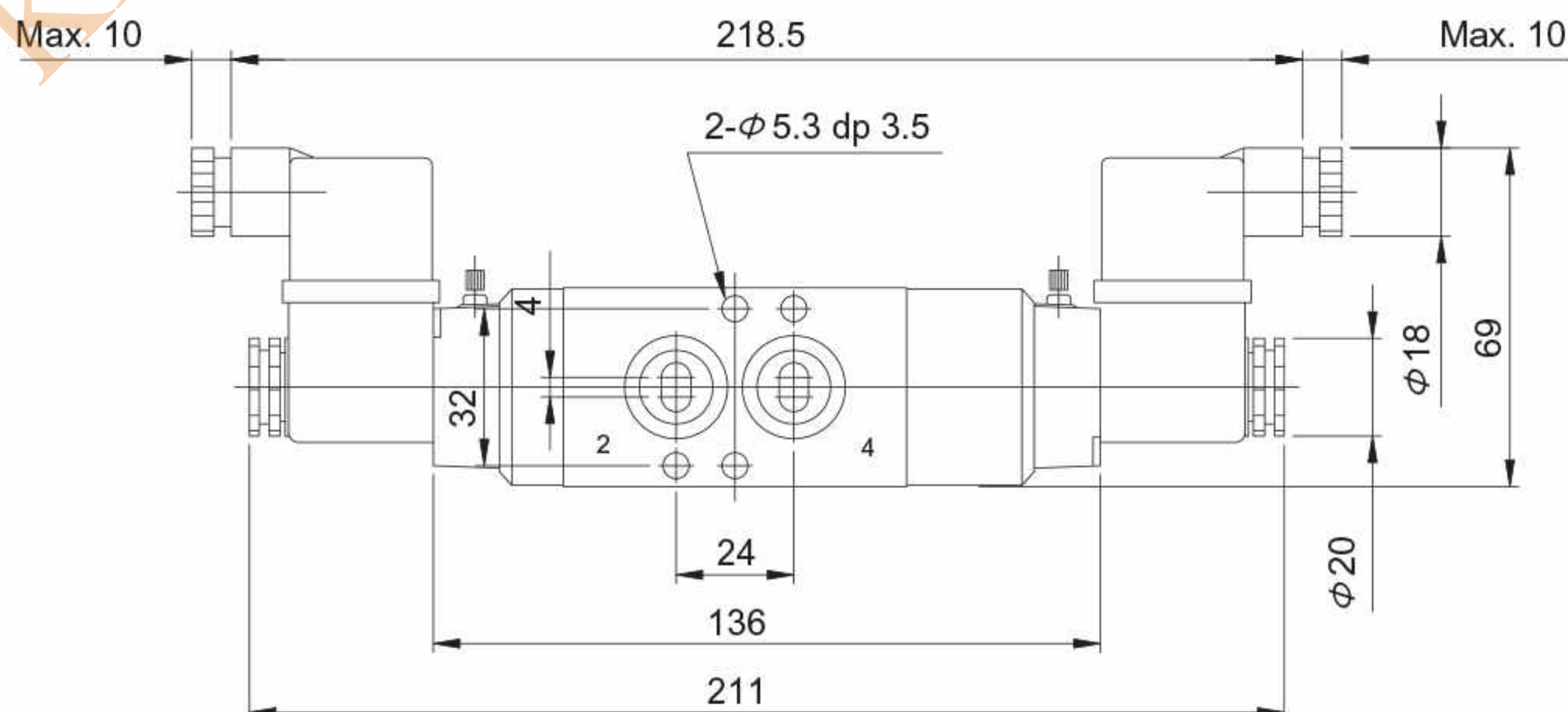
Specification

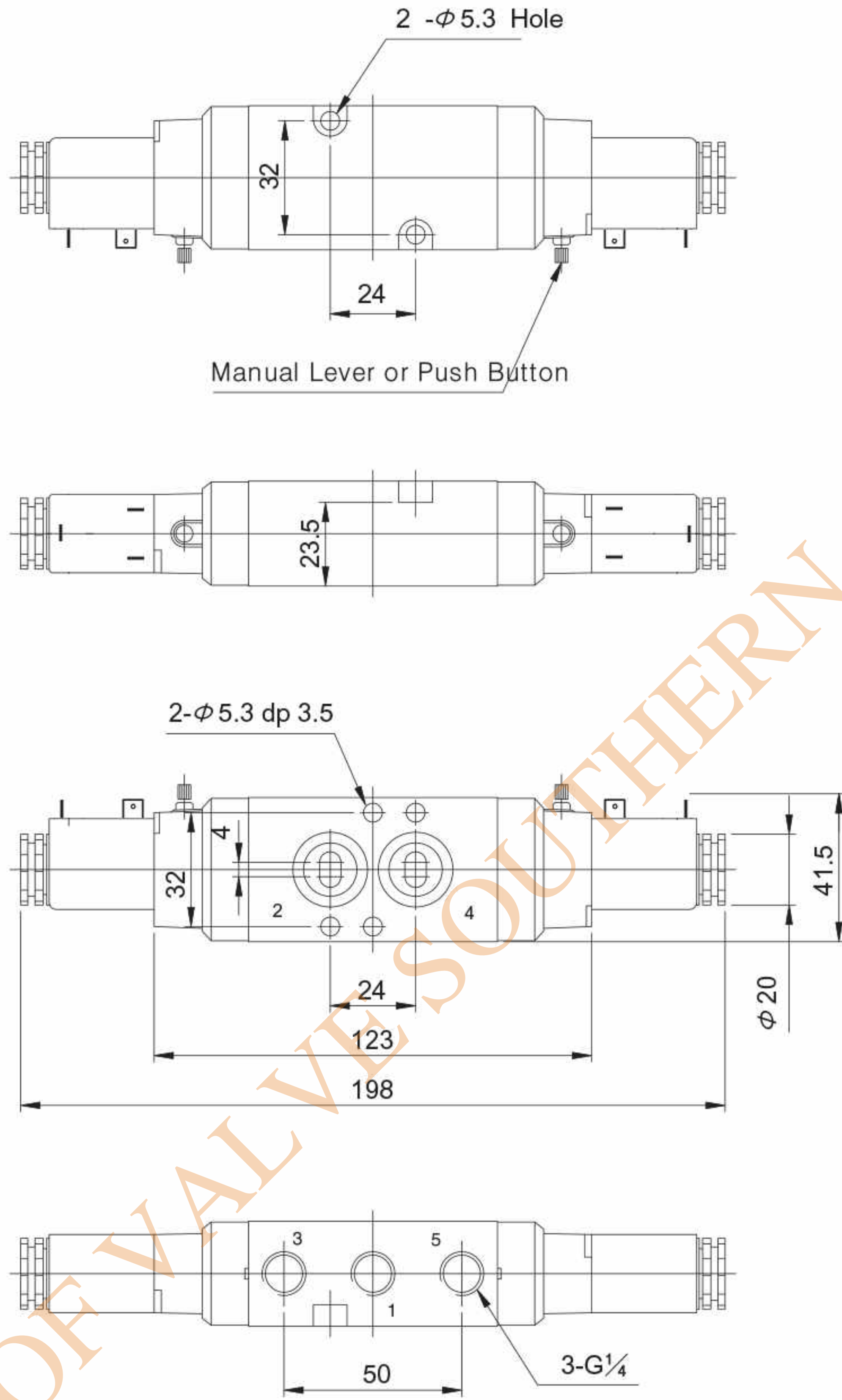
Model No	Unit	XN560S	XN560D	XN560E	XN560C	XN560P
Fluid		Non-Lubricated / Lubricated Air				
Port Size	G	PT 1/4"				
Effective Area	mm ²	32.0		16.0		
Temperature Range	°C	5 ~ 60°C				
Pressure Range	MPa (bar)	0.15 ~ 1.0 (1.5 ~ 10.0)		0.2 ~ 1.0 (2.0 ~ 10.0)		
Max. Operating Cycle	cycle / s	5		3		
Response Time	ms	30 or less		40 or less		
Exhaust Type		Individual Exhaust				
Manual Override		Non-lock(Standard), Lever-lock(OPTION)				
Shock/Vibration Resistance	m/s ²	30G~5G (8.3~200Hz)				
Voltage	V	DC24V, AC110V, AC220V(50 ~60Hz)				
Allowable Voltage Fluctuation	%	AC : ±20% / DC : ±10%				
Power Consumption	W, VA	DC : 2.5W, AC : 3.5VA (60Hz)				
Insulation Class		F Class				
Wiring		Lead Wire, DIN Connector				
Indicator Light		LED				





DIN Connector Type





DIN Connector Type

