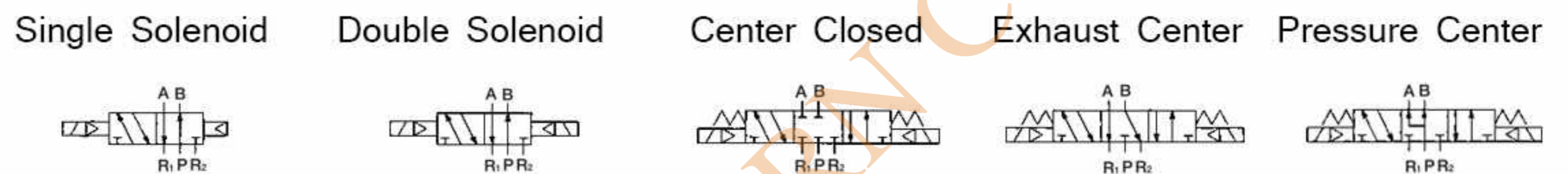


### SOLENOID VALVE

<b>XB510S</b>	<b>2 Position</b> Single solenoid
<b>XB510D</b>	<b>2 Position</b> Double Solenoid
<b>XB510C</b>	<b>3 Position</b> Center Closed
<b>XB510SE</b>	<b>3 Position</b> Exhaust Center
<b>XB510P</b>	<b>3 Position</b> Pressure Center



### Specifications

Model No	Unit	XB510S	XB510D	XB510C	XB510SE	XB510P
Fluid		Non-lubricated / Lubricated Air				
Port Size		PT 1/8"				
Effective Area	mm <sup>2</sup> (Cv)	12.6(0.6)		9.0(0.4)		
Temperature Range	°C	5~60°C				
Pressure Range	MPa(bar)	0.15~0.9(1.5~9.0)	0.1~0.9(1.0~9.0)	0.2~0.9(2.0~9.0)		
Max. Operating Cycle	cycle/s	10		3		
Response Time	ms	20 or less		o	35 r less	
Exhaust Type		Individual Exhaust				
Manual Override		Non-lock(Standard), Lever-lock(OPTION)				
Shock Vibration Resistance	m/s <sup>2</sup>	30G~5G(8.3~200Hz)				

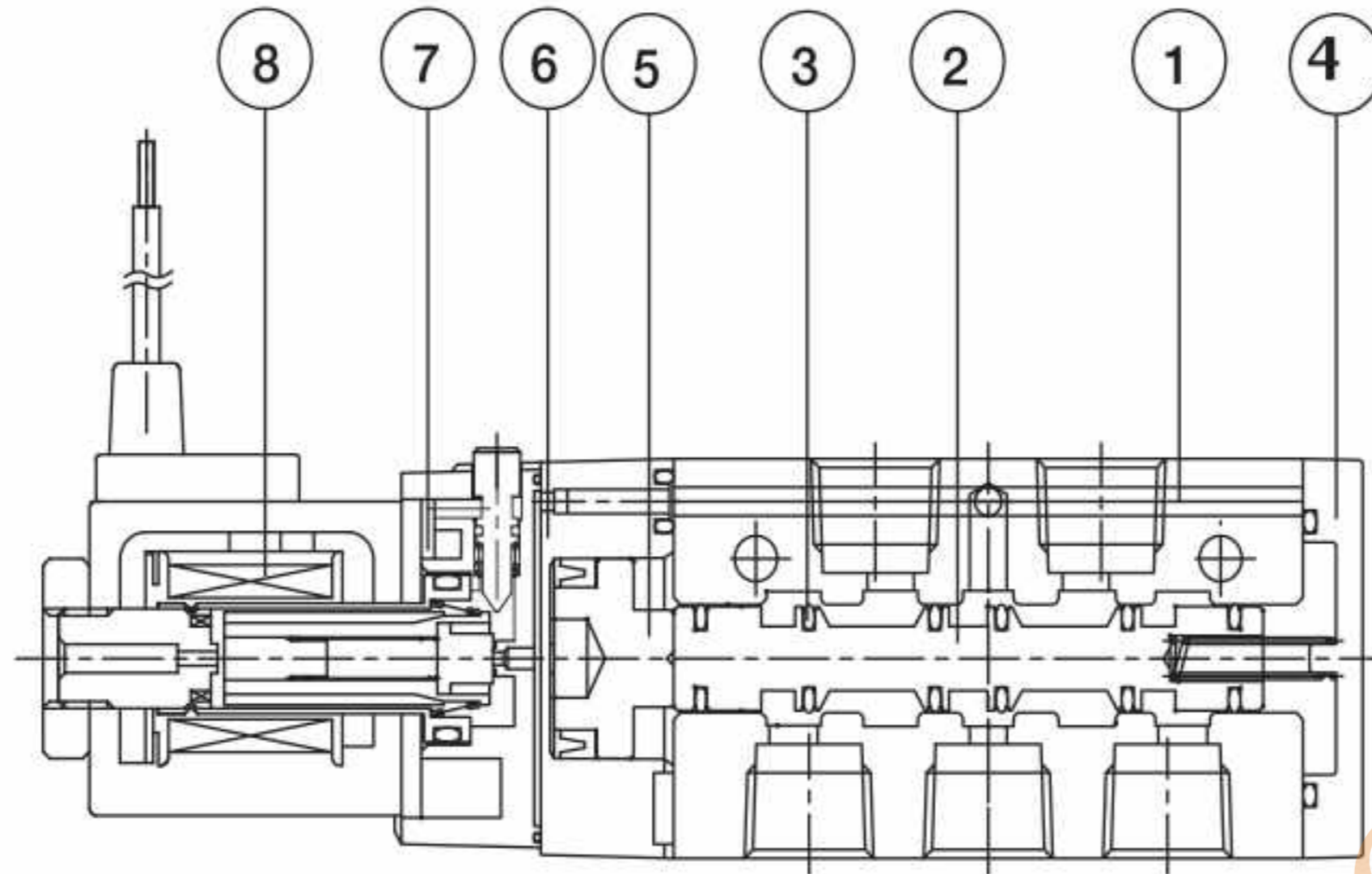
### Electrical Specifications

Voltage	V	DC24V, AC110V, AC220V(50~60Hz)
Allowable Voltage Fluctuation	%	±10%
Power Consumption	W, VA	DC24V(2.5W), AC110V(4VA), AC220V(4VA)
Insulation class		F
Wiring		Lead Wire, DIN Connector
Indicator Light		LED

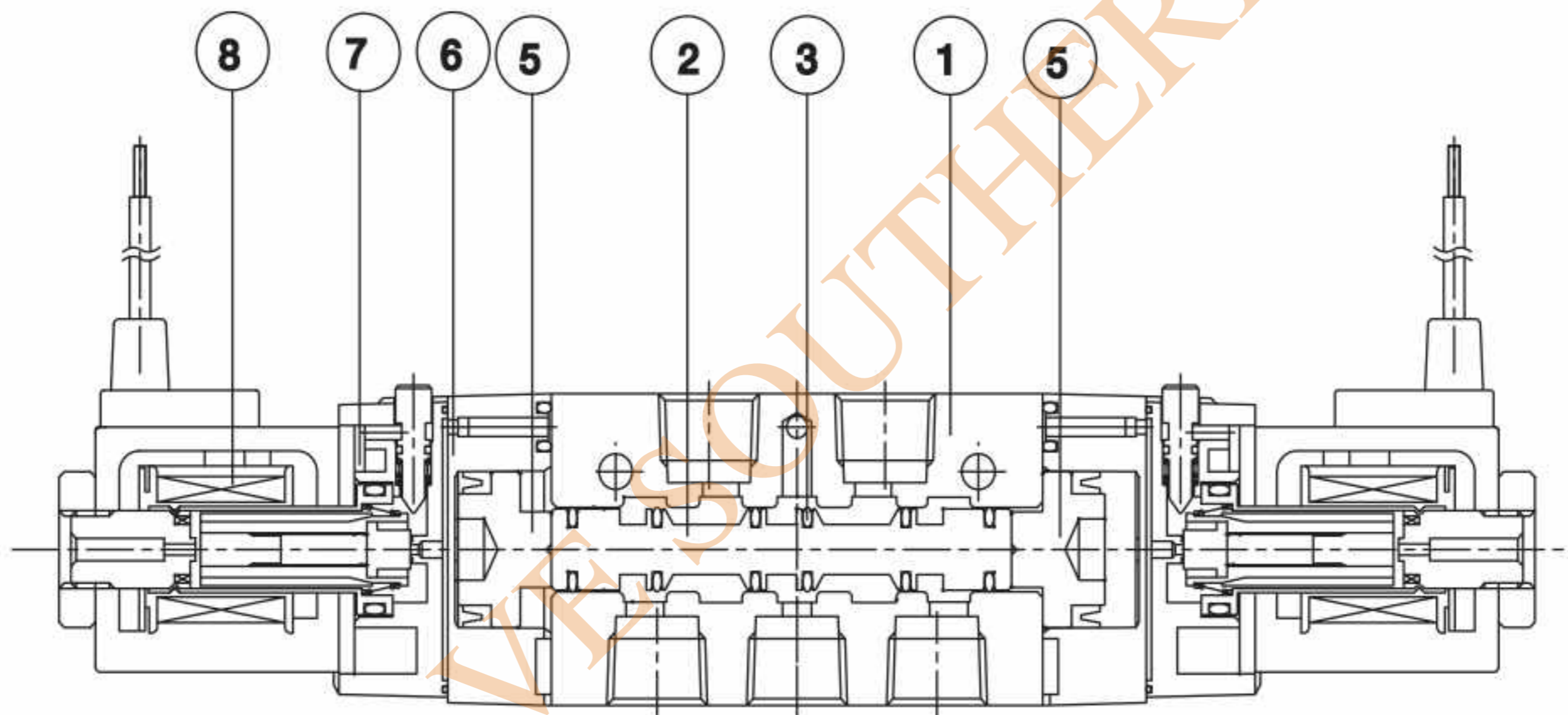
SOLENOID VALVE

## Construction

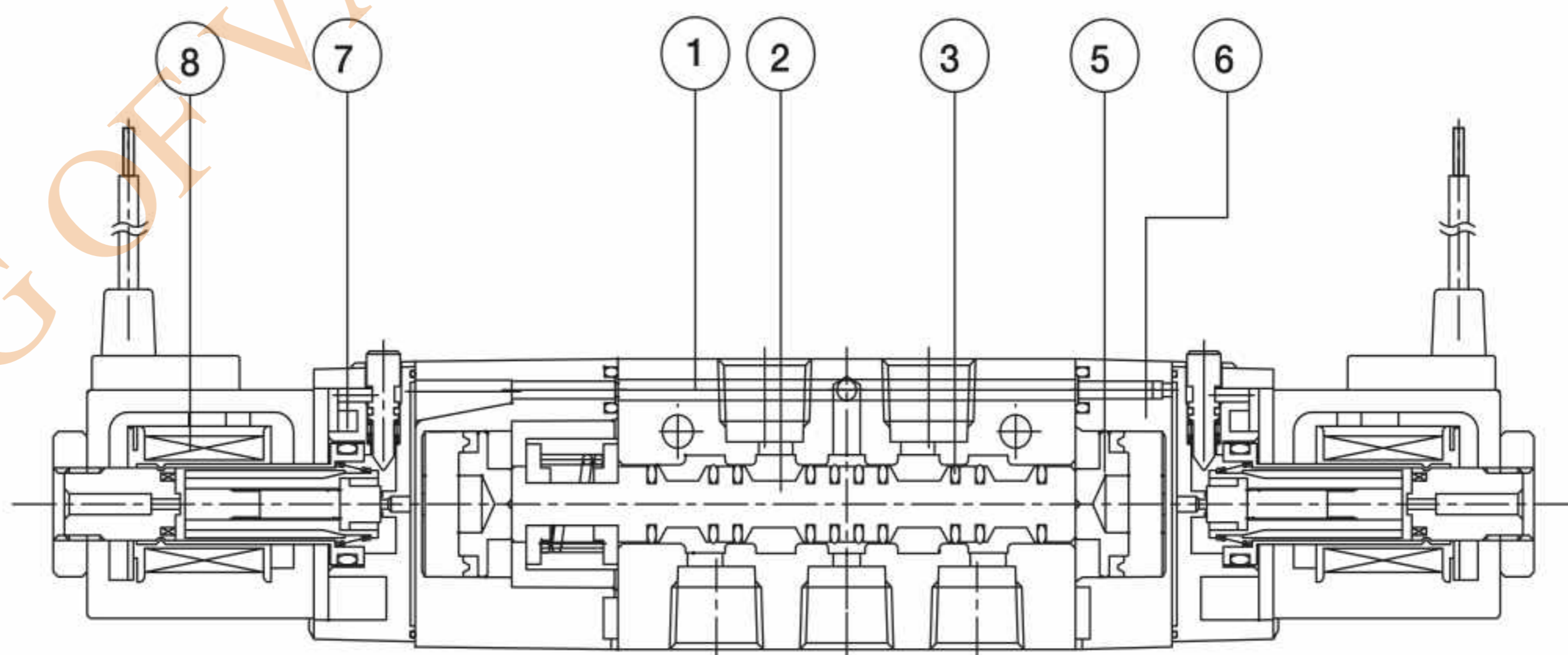
### Single Solenoid



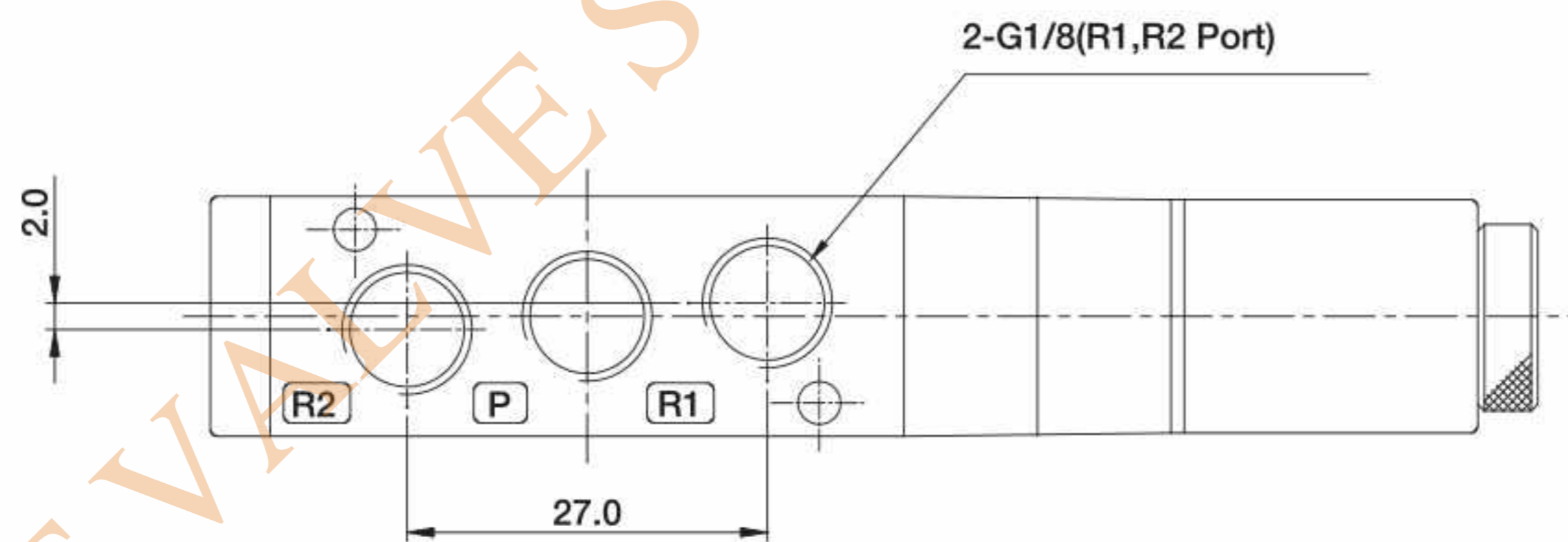
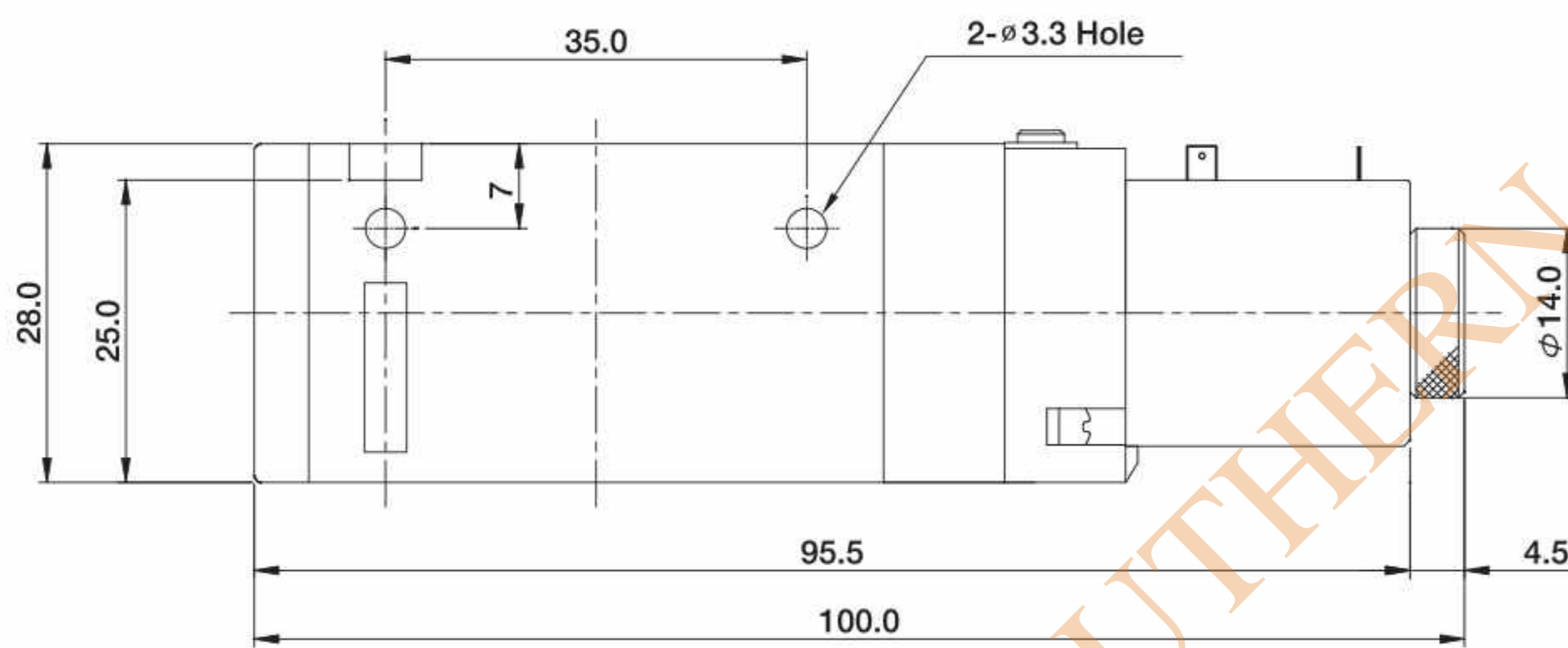
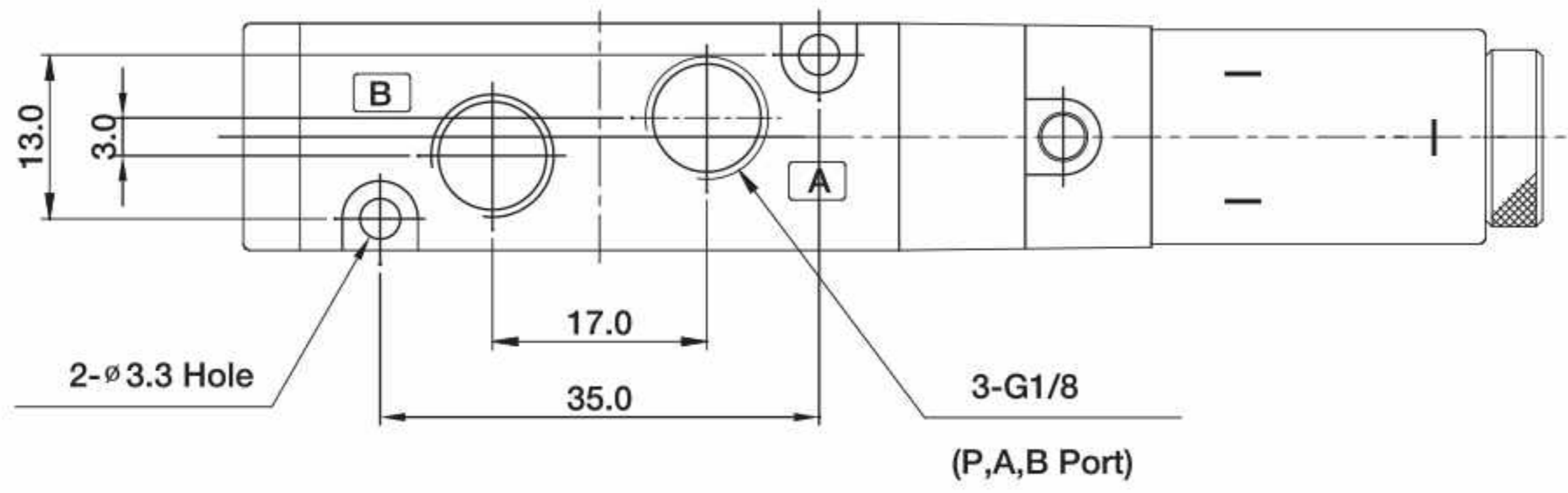
### Double Solenoid



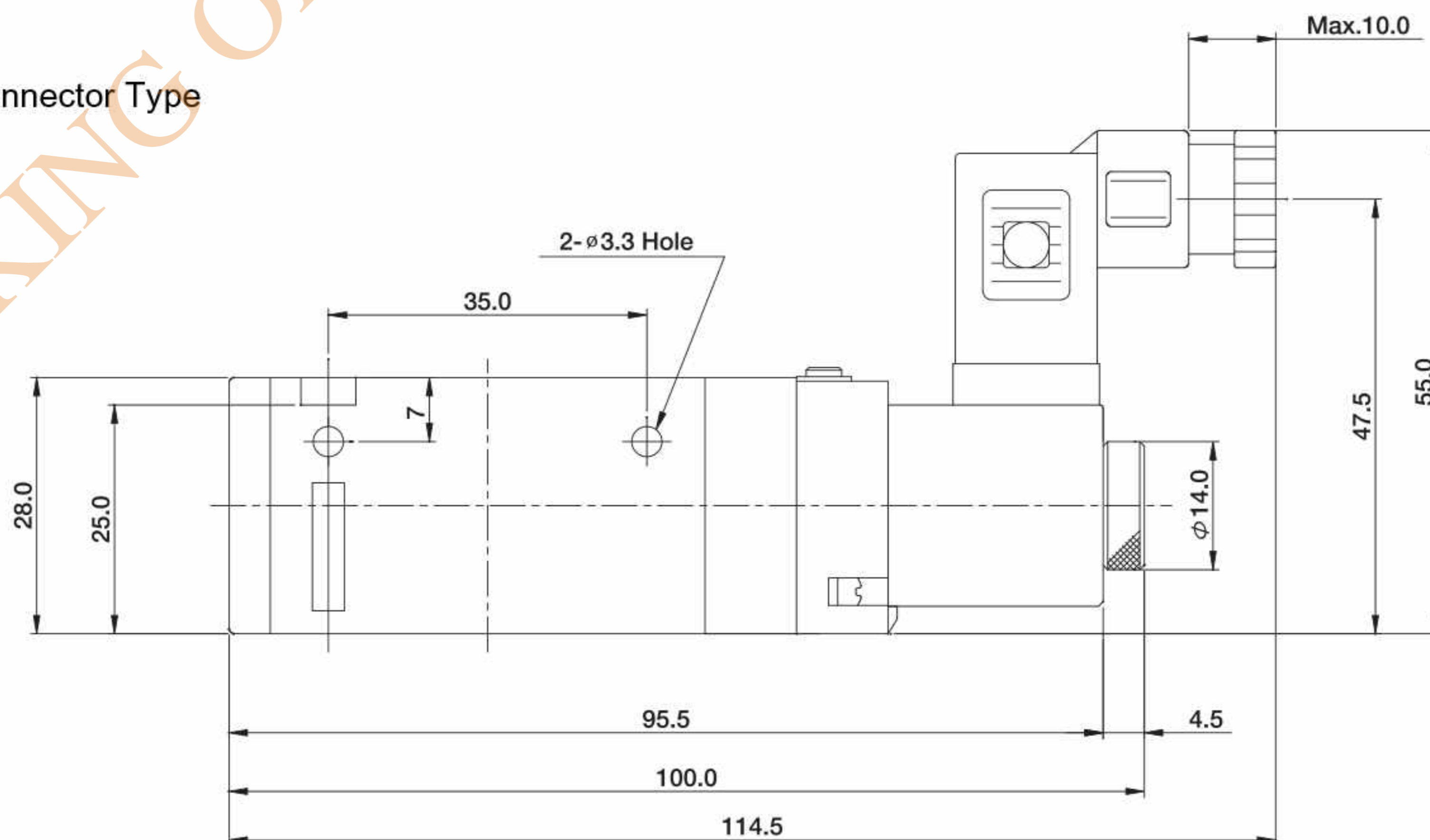
### (3-position)

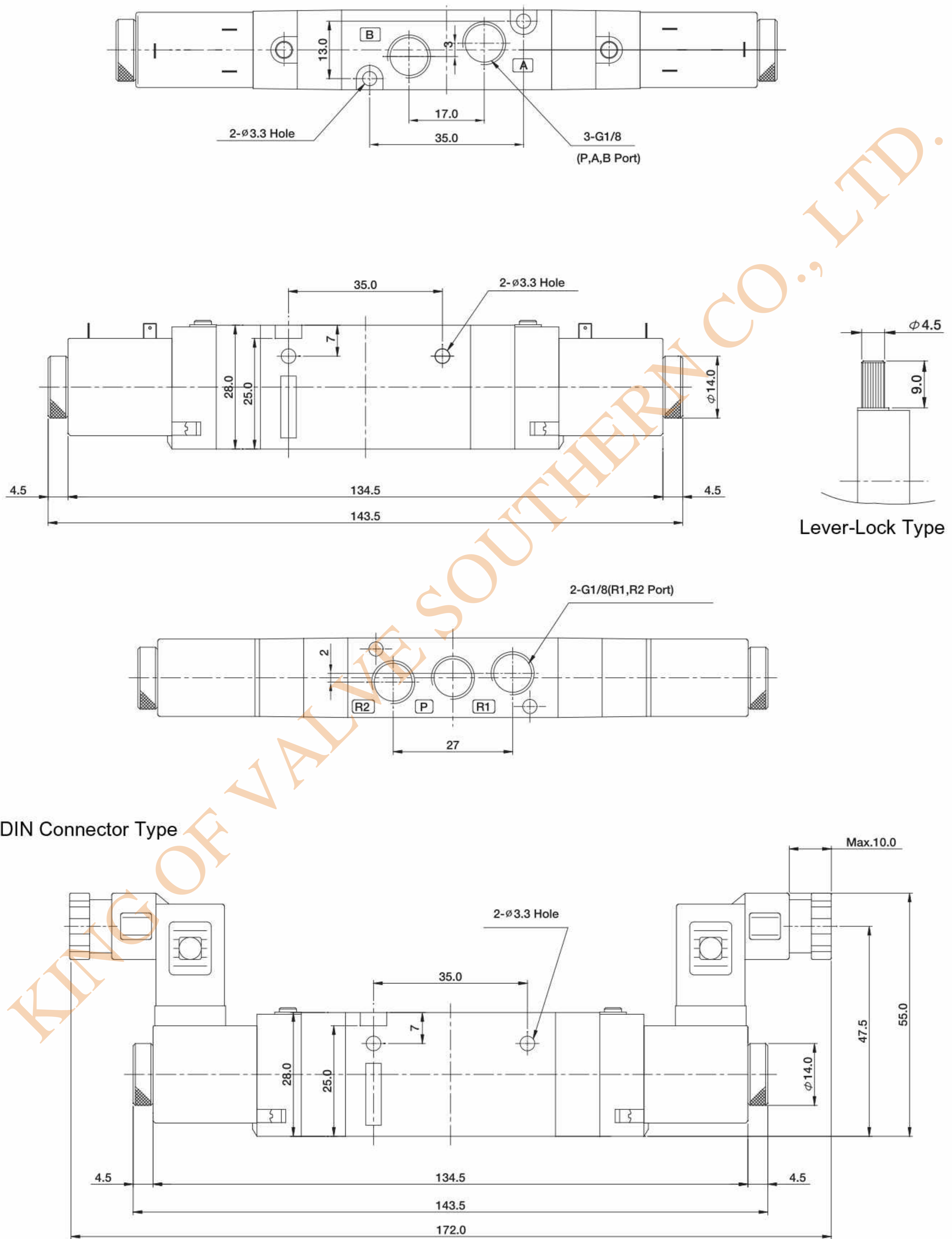


NO	Description	Material
1	Body	Aluminum Diecasting
2	Spool	Aluminum Diecasting
3	Spool Packing	NBR
4	Cap	Zinc
5	Piston	Resin
6	Semi Pilot	Zinc
7	Pilot	Resin
8	Coil Ass'y	Resin



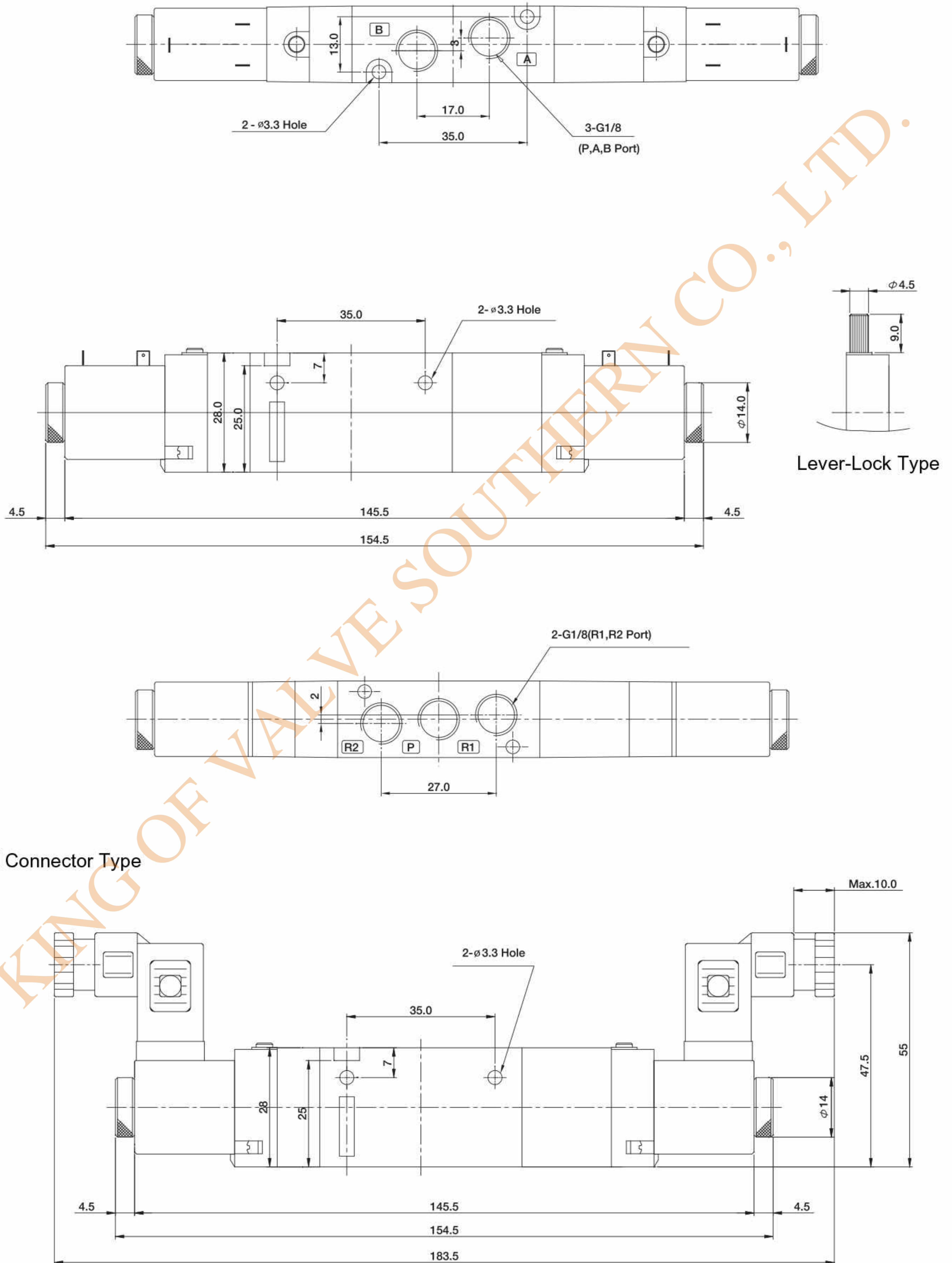
DIN Connector Type



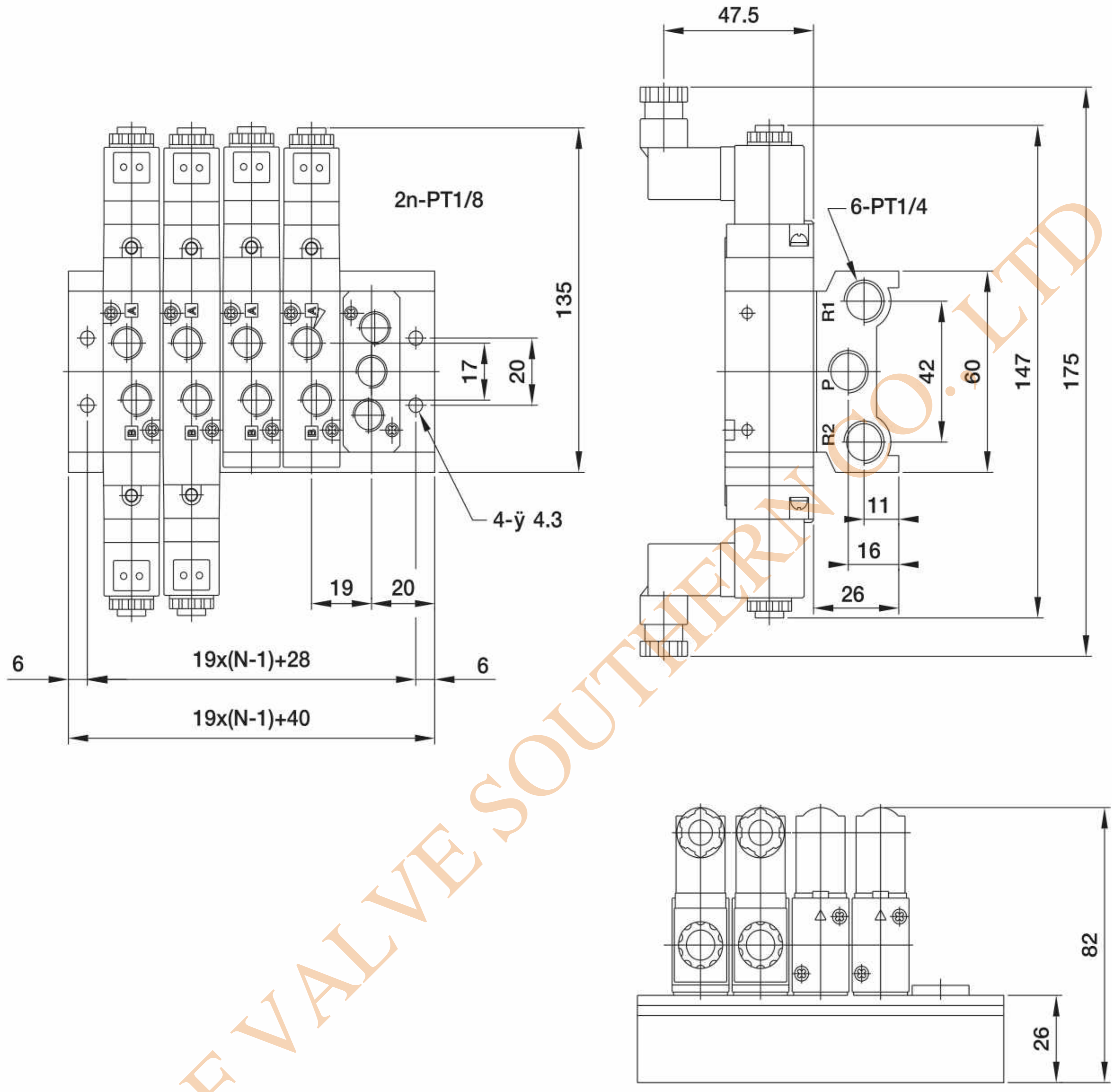


DIN Connector Type

Lever-Lock Type



KING OF VALVE SOUTHERN CO., LTD.



KING OF VALVE SOUTHERN CO., LTD.